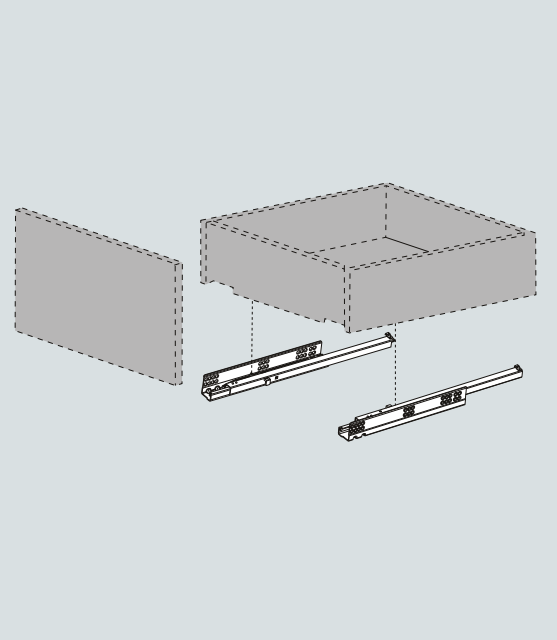
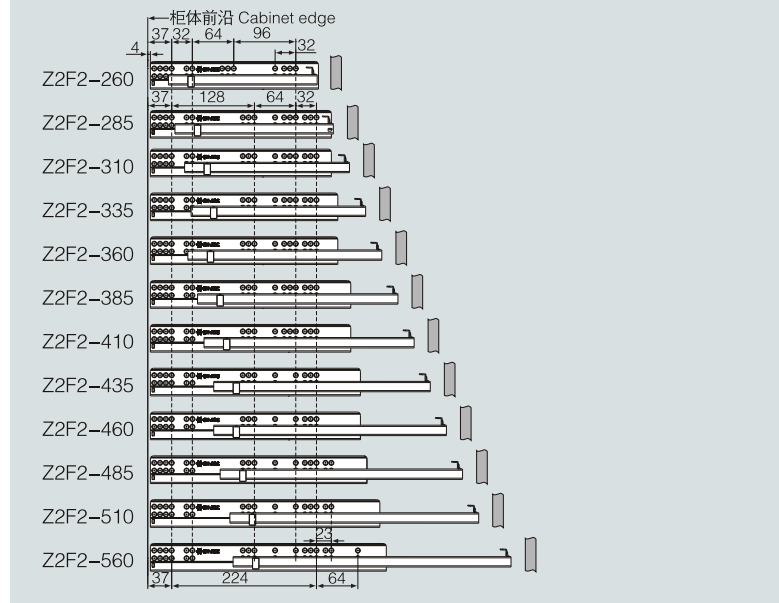




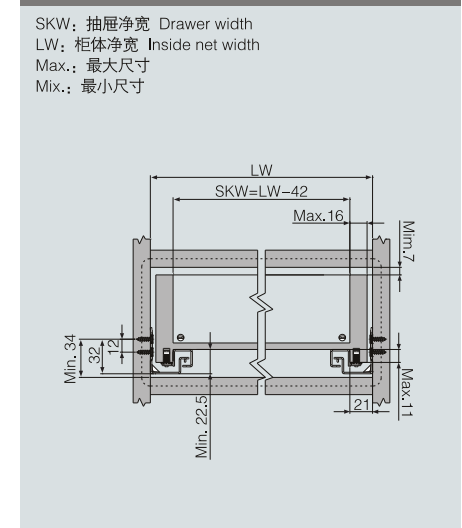
- 隐藏式、静音式
 - 载重: 25kg
 - 材料: 镀锌板
 - 材料厚度(上、下)轨: 1.4x1.4mm
 - 无需工具, 抽屉可快速安装与拆卸
 - 静音系统, 滑轨运动顺畅
 - 抽屉高度可调节0-4mm
 - 缓冲功能, 平缓关闭
-
- Concealed, quiet movement
 - Dynamic load capacity: 25kg
 - Material: galvanized steel
 - Material thickness: 1.4x1.4mm
 - Tool-free quick installation
 - Quiet system guarantee the slide run smoothly without noise
 - Drawer height is adjustable for 0-4mm
 - Soft-closing function make the drawer close safely without effect of weight

柜体滑轨安装孔尺寸 Hole pattern

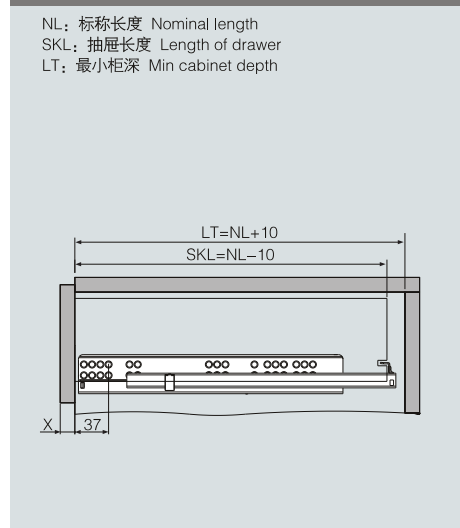


产品型号 Item No.	标称长度NL (mm) Nominal length	拉出长度 (mm) Travel length	抽屉长度 Drawer length	包装(套/箱) Packing (Set/Box)
Z2F2-260	260	166	250	10
Z2F2-285	285	191	275	10
Z2F2-310	310	216	300	10
Z2F2-335	335	241	325	10
Z2F2-360	360	266	350	10
Z2F2-385	385	271	375	10
Z2F2-410	410	296	400	10
Z2F2-435	435	321	425	10
Z2F2-460	460	346	450	10
Z2F2-485	485	371	475	10
Z2F2-510	510	396	500	10
Z2F2-560	560	428	550	10

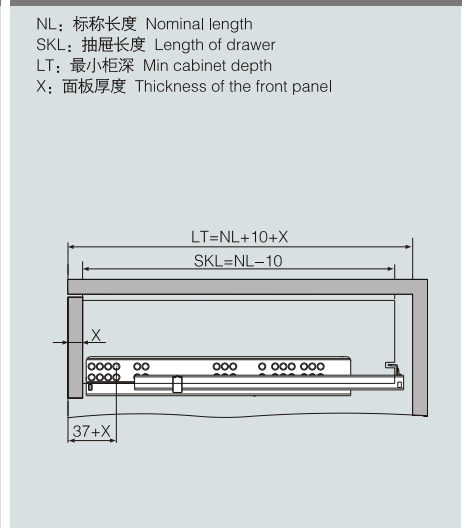
柜体所需空间 Space required



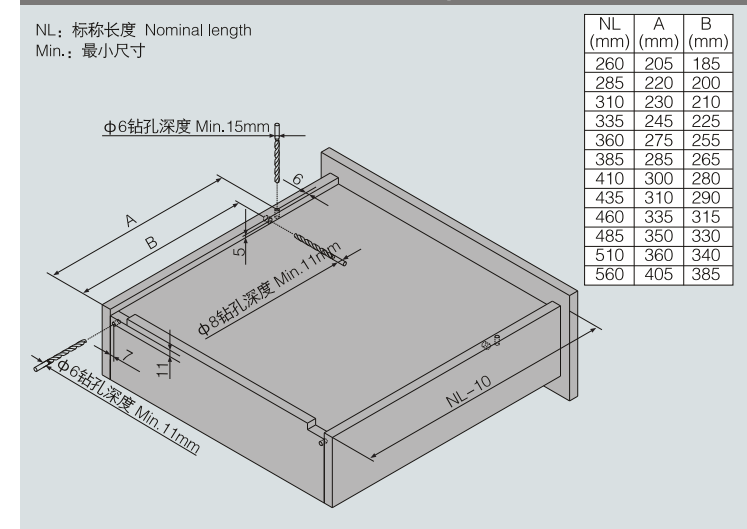
外置抽屉 Standard drawer



内置抽屉 Inner drawer



抽屉后板开槽打孔尺寸 Hole size on rear panel of the drawer



装卸调试步骤说明 Installation instruction

