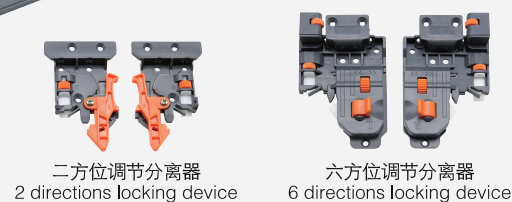


- 隐藏式、全拉出、静音式、美式
- 载重: 35kg
- 材料: 镀锌板
- 材料厚度(上、中、下)轨: 1.0x1.5x1.8mm
- 无需工具, 抽屉可快速安装与拆卸
- 三维调节, 高度调节0~3mm, 左右调节±2mm, 前后调节0~4mm

- Soft close concealed full extension slide
- Dynamic load capacity: 35kg
- Material: galvanized steel
- Material thickness: 1.0x1.5x1.8mm
- Tool-free quick installation
- 6-way adjustment, 0~3mm highly, ±2mm left and right, 0~4mm before and after



二方位调节分离器  
2 directions locking device

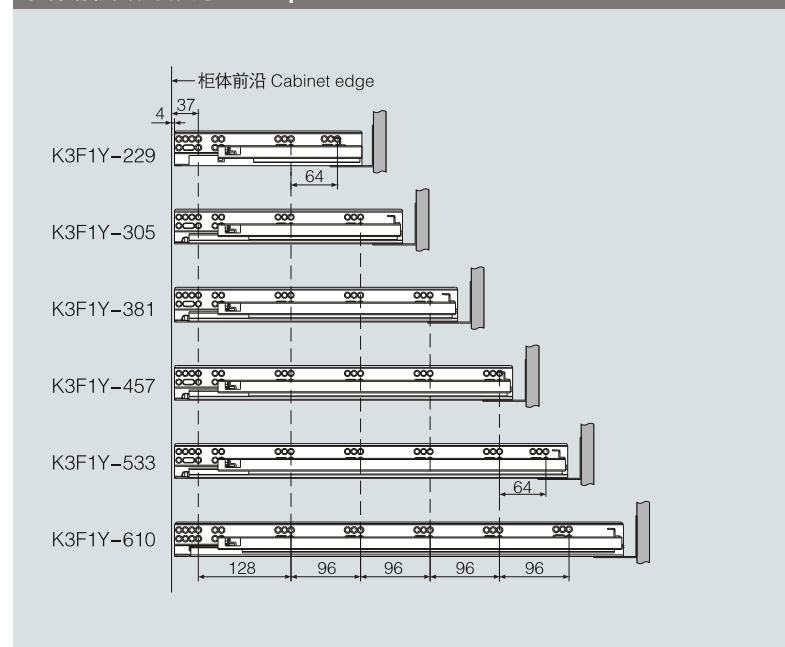
六方位调节分离器  
6 directions locking device



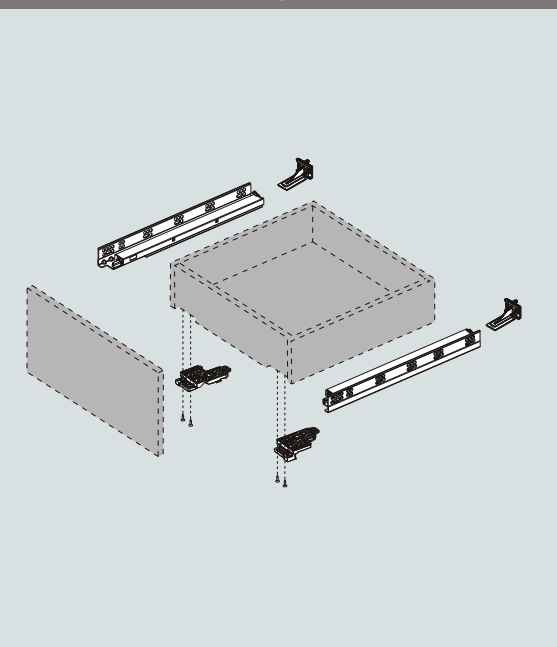
塑料后连接件  
Plastic Rear Mounting Bracket

钢后连接件  
Steel Rear Mounting Bracket

**柜体滑轨安装孔尺寸 Hole pattern**



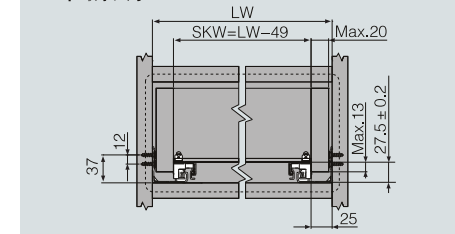
**全拉出隐藏式缓冲滑轨 Soft-closing concealed full extension slide**



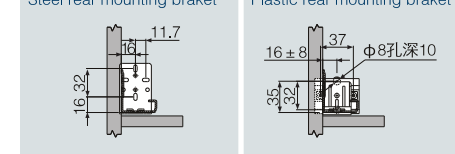
产品型号 Item No.	标称长度NL (mm) Nominal length	拉出长度 (mm) Travel length	最小柜深LT (mm) Min cabinet depth	最大柜深LT (mm) Max cabinet depth	包装(套/箱) Packing (Set/Box)
K3F1Y-229	229	209	268	288	8
K3F1Y-305	305	282	324	360	8
K3F1Y-381	381	358	400	436	8
K3F1Y-457	457	434	476	512	8
K3F1Y-533	533	510	552	588	8
K3F1Y-610	610	587	629	665	8

**柜体所需空间 Space required**

SKW: 抽屉净宽 Drawer width  
 LW: 柜体净宽 Inside net width  
 Max.: 最大尺寸  
 Min.: 最小尺寸

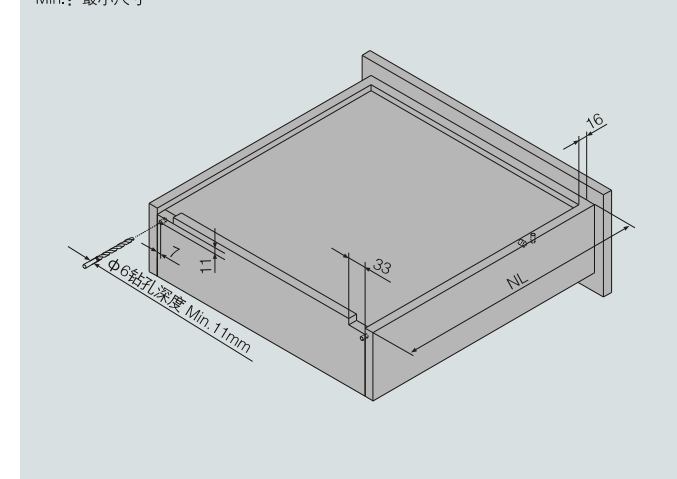


**钢后连接件 Steel rear mounting bracket**



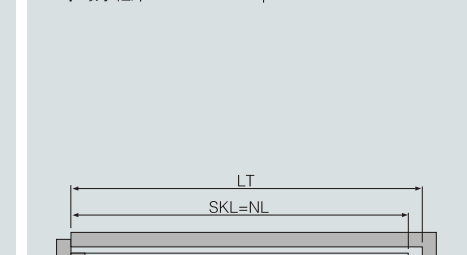
**抽屉后板开槽打孔尺寸 Hole size on rear panel of the drawer**

NL: 标称长度 Nominal length  
 Min.: 最小尺寸

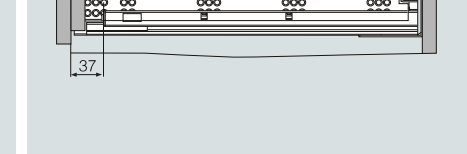


**外置抽屉 Standard drawer**

NL: 标称长度 Nominal length  
 SKL: 抽屉长度 Length of drawer  
 LT: 最小柜深 Min cabinet depth

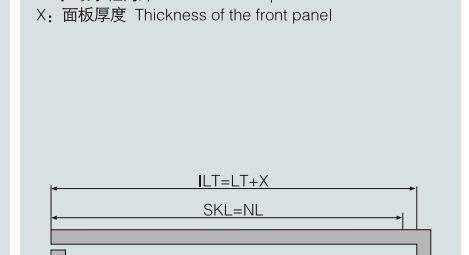


**塑料后连接件 Plastic rear mounting bracket**

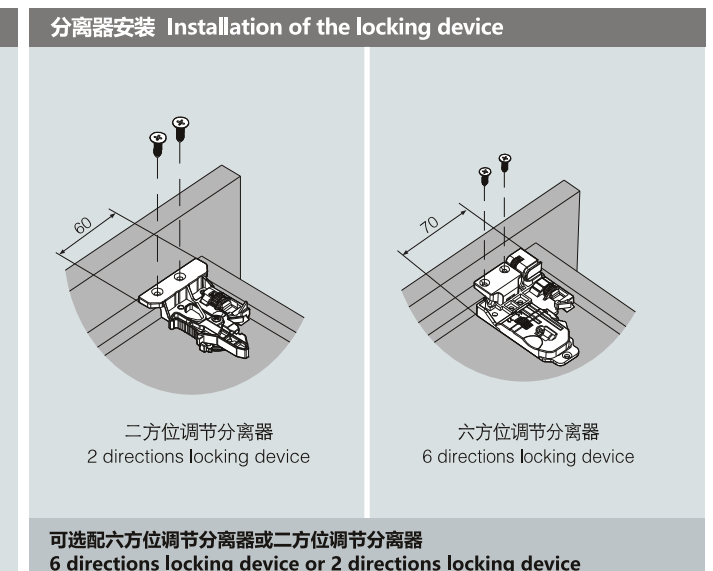


**内置抽屉 Inner drawer**

NL: 标称长度 Nominal length  
 SKL: 抽屉长度 Length of drawer  
 ILT: 最小柜内深 Min cabinet depth  
 X: 面板厚度 Thickness of the front panel



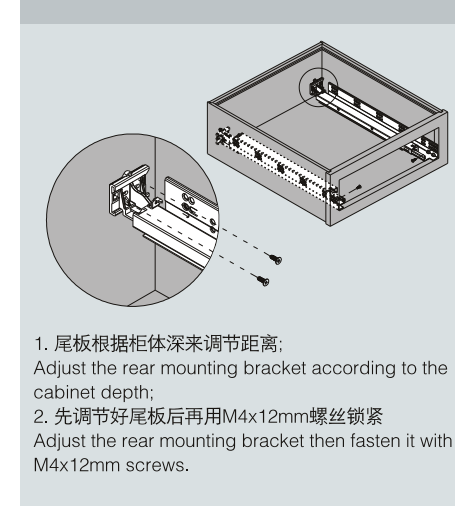
**分离器安装 Installation of the locking device**



可选配六方位调节分离器或二方位调节分离器  
 6 directions locking device or 2 directions locking device

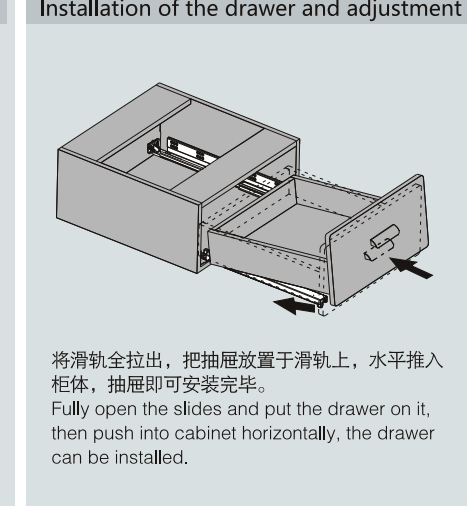
**装卸调试步骤说明 Installation instruction**

**滑轨安装 Installation of the slides**



1. 尾板根据柜体深来调节距离;  
Adjust the rear mounting bracket according to the cabinet depth;
2. 先调节好尾板后再用M4x12mm螺丝锁紧  
Adjust the rear mounting bracket then fasten it with M4x12mm screws.

**抽屉安装与调节 Installation of the drawer and adjustment**



将滑轨全拉出, 把抽屉放置于滑轨上, 水平推入柜体, 抽屉即可安装完毕。  
 Fully open the slides and put the drawer on it, then push into cabinet horizontally, the drawer can be installed.

**抽屉拆卸 Removal of the drawer**



抽屉拆卸时, 双手轻压分离器, 见箭头方向, 即可拆卸。  
 Hold the plastic gently according to the direction of the arrow when removing the drawer, then the drawer can be demounted easily.